



# Forged Stainless Steel Valves



**Stainless Division  
of Newman's**



**Recognized For  
Quality Since 1883**

# Forged Stainless Steel Gate Valves

**800 lb. Rated / 2000 PSI Cold, Non Shock**

**316 Stainless Steel Body, Bonnet and Trim**

**Reduced Port Design**

**Outside Screw and Yoke**

**Bolted Bonnet**

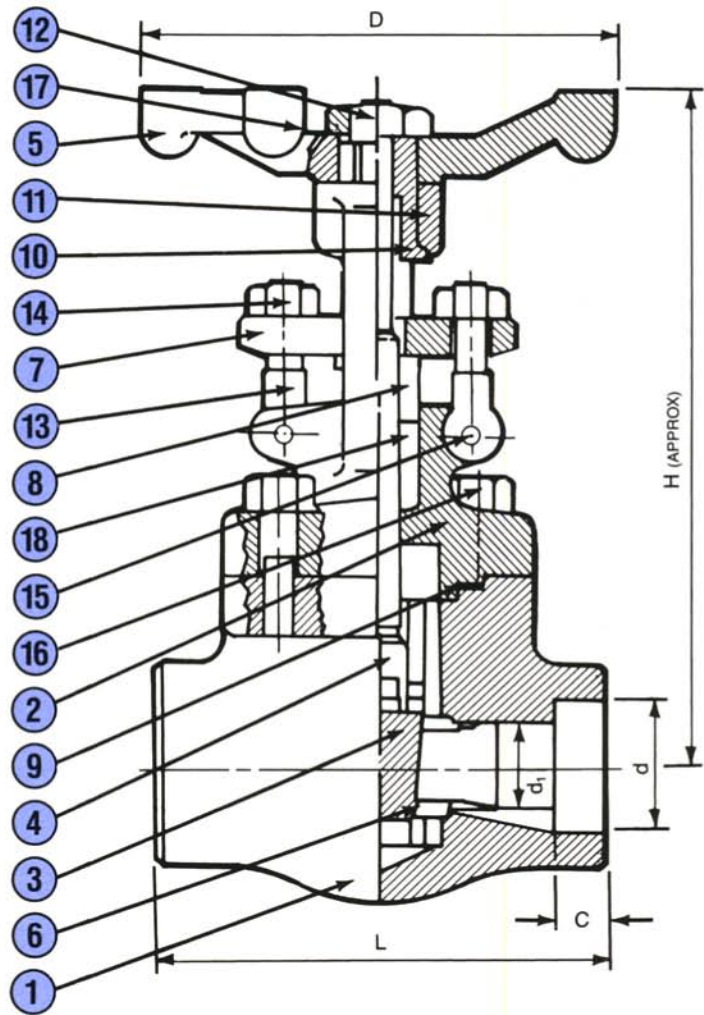
**Threaded or Socket Weld\***

**Ends: 1/2"-2"**

NO.	NAME OF PART	MATERIAL	QTY.
1	Body	A182-F316	1
2	Bonnet	A182-F316	1
3	Wedge (Solid)	A182-F316	1
4	Stem	A182-F316	1
5	Hand Wheel	Ductile Iron	1
6	Seat Ring	A182-F316	2
7	Gland Flange	A182-F316	1
8	Packing Gland	A182-F316	1
9	Gasket	Spiral Wound AISI 316 with Graphite	1
10	Sleeve	A276-410	4
11	Sleeve Washer	A276-430	1
12	Lock Nut	A182-F321	1
13	Eye Bolt	A182-F316	2
14	Eye Bolt Nut	A182-F304	2
15	Eye Bolt Pin	A182-F316	2
16	Bonnet Bolt	ASTM A193/GR B8	4
17	Name Plate	Aluminum	1
18	Packing	Grafoil Die Formed Center Rings and Braided Graphite Top & Bottom Rings	1 Set

## Dimensions (Inches)

	SIZE				
	1/2"	3/4"	1"	1-1/2"	2"
d <sub>1</sub>	0.37	0.50	0.69	1.13	1.44
L	2.99	3.39	4.02	4.61	5.24
d	0.855	1.065	1.330	1.915	2.406
C	0.53	0.55	0.69	0.73	0.79
D	3.15	3.15	3.94	4.72	5.91
H	5.28	5.47	6.81	8.23	8.35
Wt. Lbs.	3.30	3.39	6.53	10.78	17.38



**Fig. No. 8GT-6**

## Cv Values

SIZE	Cv
1/2"	5.7
3/4"	8.2
1"	26.0
1-1/2"	60.0
2"	92.0

## Pressure-Temperature Ratings for Class 800 Valves

Service Temperature(°)		Pressure Rating	
Fahrenheit	Celsius	Lbs./Sq. In. Gage	Megapascals
-20 to 100	-29 to 38	1,920	13.24
200	93.5	1,655	11.41
300	149	1,495	10.31
400	204.5	1,370	9.45
500	260	1,275	8.79
600	315.5	1,205	8.31
650	343.5	1,185	8.17
700	371	1,150	7.93
750	399	1,130	7.79
800	426.5	1,105	7.62
850	454.5	1,080	7.45
900	482	1,050	7.24
950	510	1,030	7.10
1,000	538	970	6.69

## Performance (PSIG)

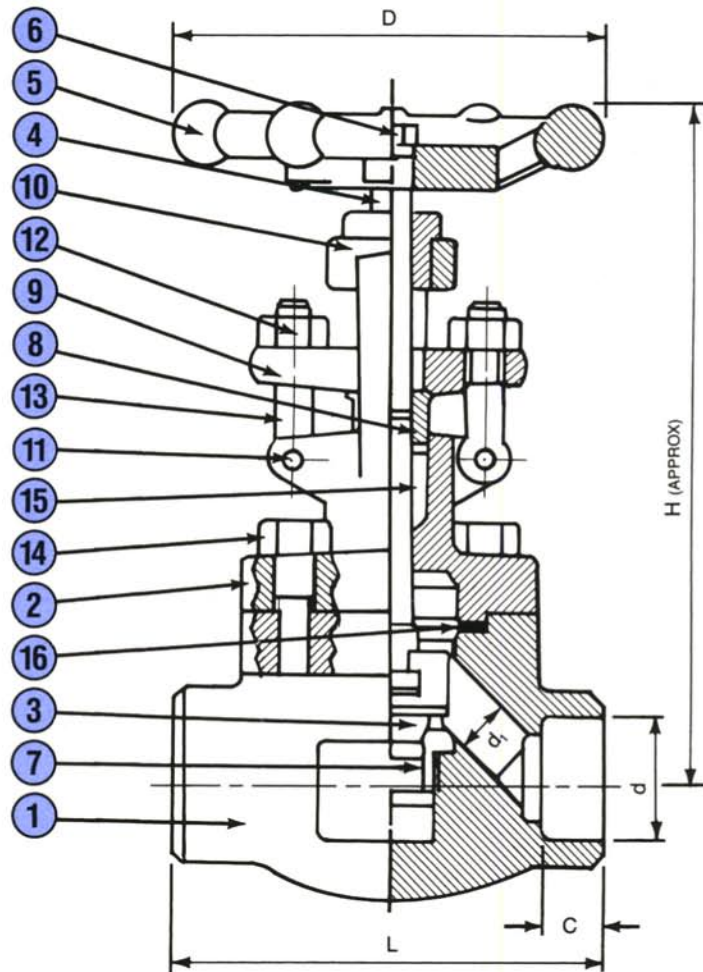
Working Pressure	800
Hydraulic Body Test	3000
Hydraulic Seat Test	2000
Air under Water	100

\*We carry threaded in stock; modification to SW at additional charge

# Forged Stainless Steel Globe Valves

**800 lb. Rated/2000 PSI Cold, Non Shock**  
**316 Stainless Steel Body, Bonnet and Trim**  
**Reduced Port Design**  
**Outside Screw and Yoke**  
**Rising Stem and Handwheel**  
**Bolted Bonnet**  
**Threaded or Socket Weld\* Ends: 1/2"-2"**

NO.	NAME OF PART	MATERIAL	QTY.
1	Body	A182-F316	1
2	Bonnet	A182-F316	1
3	Disc	A182-F316	1
4	Stem	A182-F316	1
5	Hand Wheel	Ductile Iron	1
6	Wheel Nut	A182-F304	1
7	Seat	A182-F316	1
8	Packing Gland	A182-F316	1
9	Gland Flange	A182-F316	1
10	Sleeve	A276-410	1
11	Eye Bolt Pin	A182-F316	2
12	Eye Bolt Nut	A182-F304	2
13	Eye Bolt	A182-F316	2
14	Bonnet Bolt	ASTM A193/GR B8	4
15	Packing	Grafoil Die Formed Center Rings and Braided Graphite Top & Bottom Rings	1 Set
16	Gasket	Spiral Wound AISI 316 with Graphite	1



**Fig. No. 8GL-6**

## Dimensions (Inches)

	SIZE				
	1/2"	3/4"	1"	1-1/2"	2"
d <sub>1</sub>	0.35	0.50	0.69	1.16	1.38
L	2.99	3.39	4.02	5.98	6.73
d	0.855	1.065	1.330	1.915	2.406
C	0.53	0.55	0.69	0.73	0.79
D	1.28	1.46	1.85	2.44	2.95
H	5.39	5.59	6.97	8.46	9.92
Wt. Lbs.	3.10	3.30	5.41	10.89	22.44

## Cv Values

SIZE	Cv
1/2"	1.5
3/4"	2.4
1"	5.6
1-1/2"	21.0
2"	29.0

## Performance (PSIG)

Working Pressure	800
Hydraulic Body Test	3000
Hydraulic Seat Test	2000
Air under Water	100

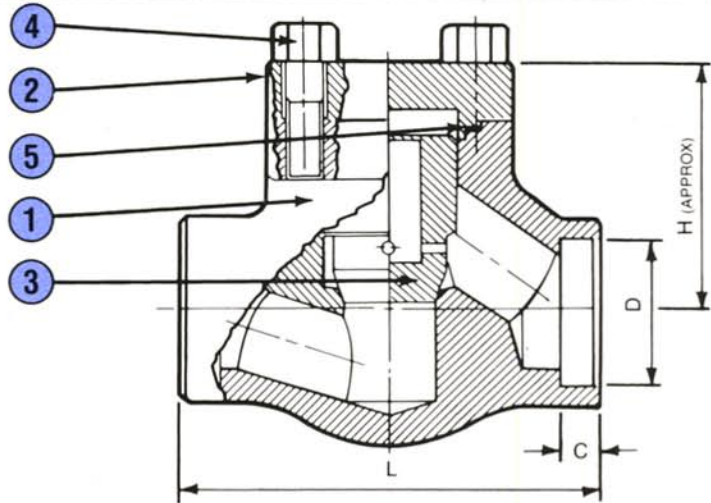


**Stainless Division  
of Newman's**



\*We carry threaded in stock; modification to SW at additional charge

**800 lb. Rated/2000 PSI Cold,  
Non Shock  
316 Stainless Steel Body,  
Cap and Trim  
Bolted Cap  
Piston Type or  
Swing Type  
Threaded or Socket Weld\*  
Ends: 1/2"-2"**

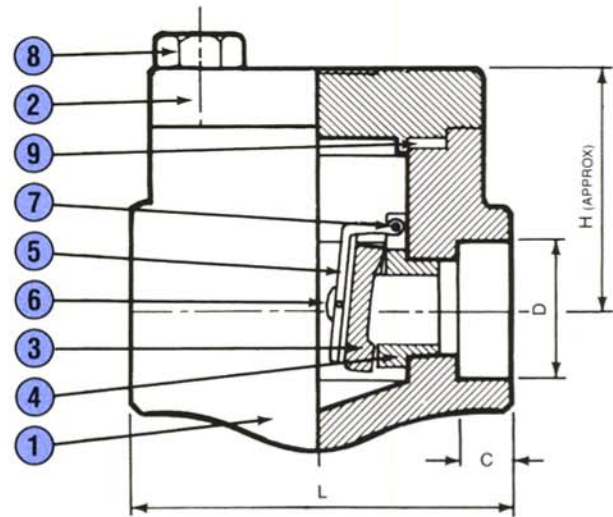


NO.	NAME OF PART	MATERIAL	QTY.
1	Body	A182 F316	1
2	Cap	A182 F316	1
3	Piston	A182 F316	1
4	Cap Bolt	A193 B8	4
5	Gasket	Spiral Wound AISI 316 with Graphite	1

	SIZE				
	1/2"	3/4"	1"	1-1/2"	2"
L	2.99	3.39	4.02	5.98	6.73
C	0.53	0.55	0.69	0.73	0.79
D	0.855	1.065	1.330	1.915	2.406
H	1.89	2.13	2.48	2.99	3.94
Wt. Lbs.	2.20	2.64	3.74	7.48	15.40

SIZE	Cv
1/2"	2.6
3/4"	4.3
1"	6.5
1-1/2"	28.0
2"	35.0

Working Pressure	800
Hydraulic Body Test	3000
Hydraulic Seat Test	2000
Air under Water	100



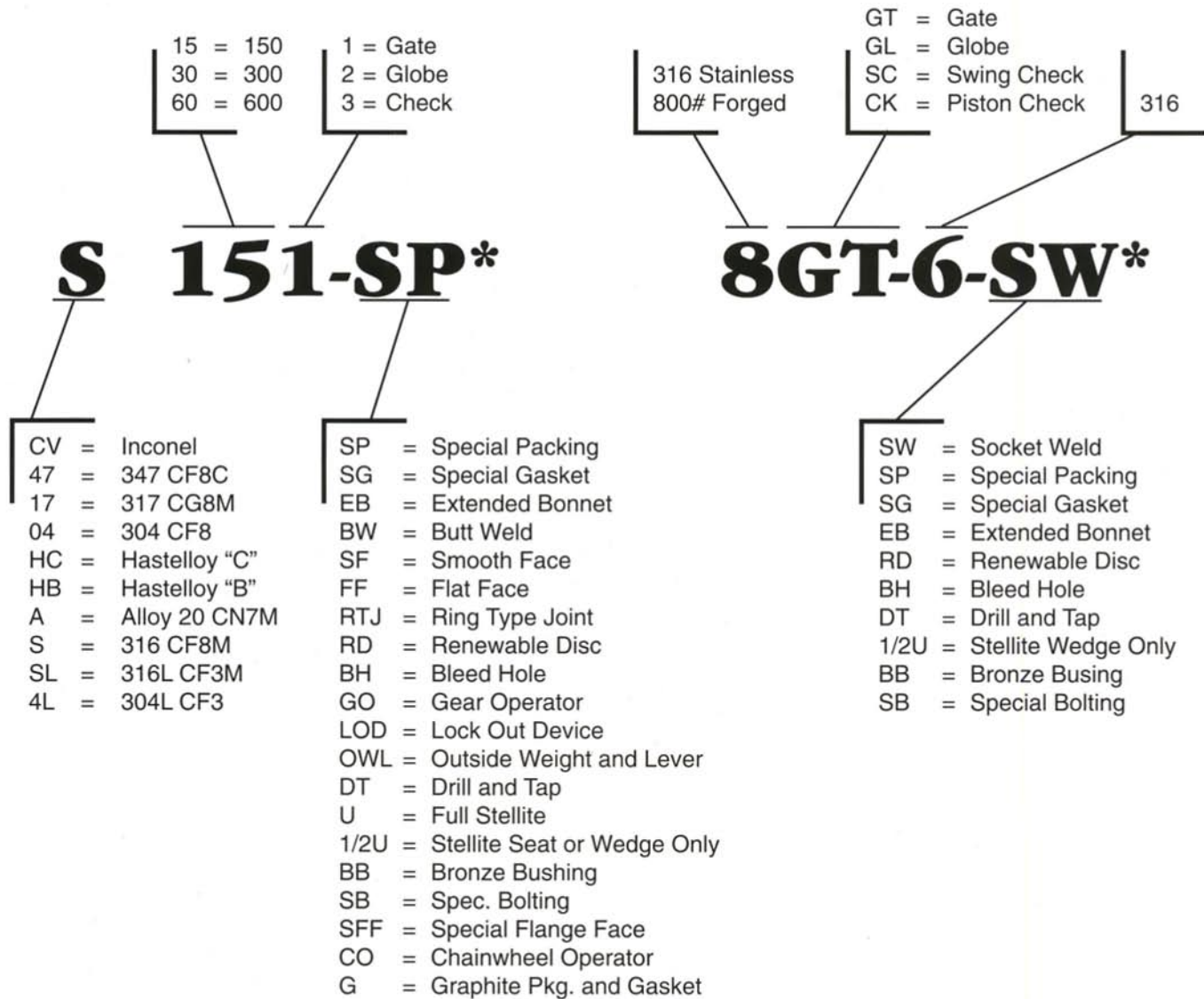
NO.	NAME OF PART	MATERIAL	QTY.
1	Body	A182 F316	1
2	Cap	A182 F316	1
3	Disc	A276 316	1
4	Seat Ring	A276 316	1
5	Arm	A276 316	1
6	Disc Nut	A276 316	1
7	Hinge Pin	A276 316	1
8	Cap Bolt	A193 B8	4
9	Gasket	Spiral Wound AISI 316 with Graphite	1

	SIZE				
	1/2"	3/4"	1"	1-1/2"	2"
L	2.99	3.39	4.02	4.61	5.24
C	0.53	0.55	0.69	0.73	0.79
D	0.855	1.065	1.330	1.915	2.406
H	1.89	2.13	2.48	3.39	4.02
Wt. Lbs.	2.02	2.02	3.12	9.24	15.40

The information contained herein is general in nature and is not intended for specific construction or application purposes. OIC reserves the right to make changes in specifications, designs or materials at any time without notice or obligation.

\*We carry threaded in stock; modification to SW at additional charge

# Figure Number Selection



\*For multiple modifications continue adding letter designations with a hyphen between modifications.

Note: 800 Series valves are shown in separate forged stainless catalogue.