



BRONZE BALL VALVES

B42P SERIES





BRONZE BALL VALVES

The bronze ball valve offers a varied range of end connections to meet market demands. The conventional standard soldering and screwed end connections remain, with the addition of extended one piece casting soldering end connection range to XKLM or EXYZ dimensions. The additional facility allows for inline soldering of the valve without having to dismantle prior to installation, saving down time and the benefit that the integrity of the valve has been preserved.

- Full Bore
- Built-in Locking device
- ISO 5211 top plate + square Stem for direct Actuator mounting
- Conforms to CGA G-4.1 and G01 Specifications for Hospital Gases
- He leak rate 10⁻⁶ cc atm He/sec. (on request)
- 90 mm extended handle. (on request)

Technical Summary

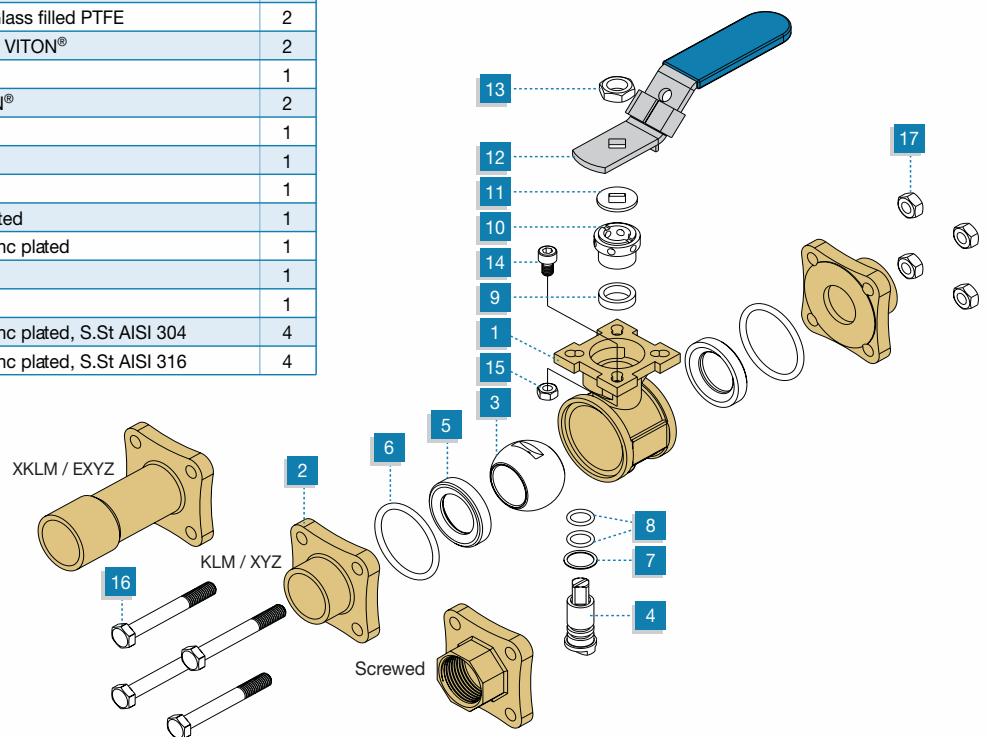
Size Range:	½" - 2"
Applications:	Water, Oil, Gas, Hospital Gases
Materials:	Bronze Body & End caps, Stainless steel 316 Ball & Stem.
Pressure Rating:	600 WOG
Temperature:	Up to 446°F (230°C)
End Connections	BSPT, NPT, DIN, KLM, XKLM, XYZ, EXYZ (KLM= Brazing Copper ends for tube K, L & M Type) (XYZ=Brazing Copper tube ends according to be BS1057)



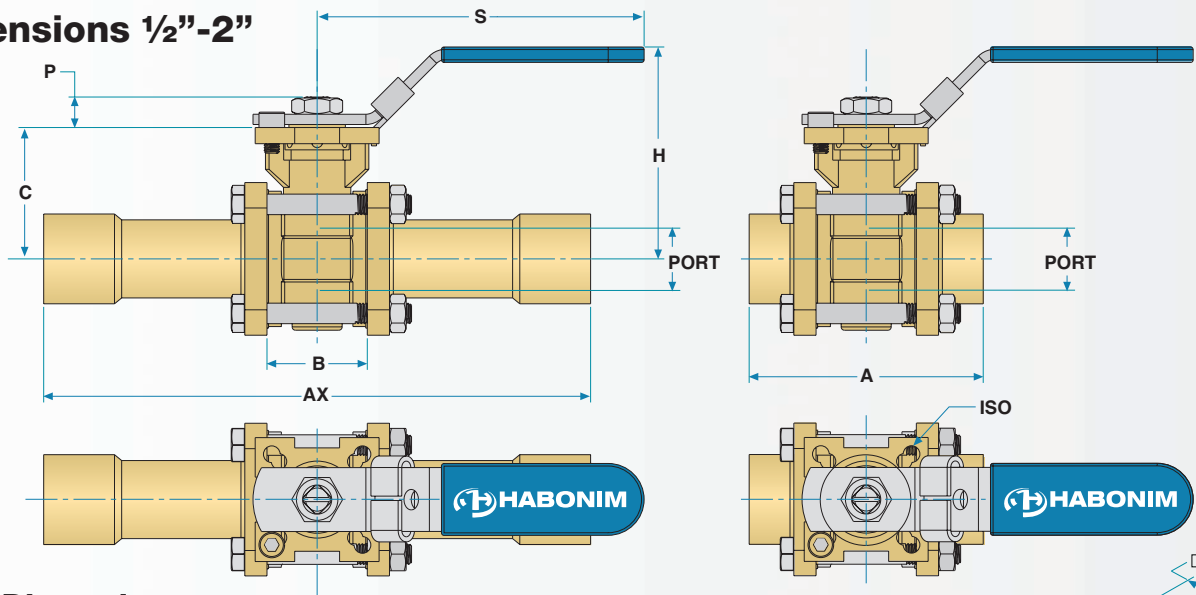
Material Specifications ½"-2"

Item	Description	Material	Qty.
1	Body	Bronze B584-C84400	1
2	End connector	Bronze B584-C84400	2
3	Ball	S.St ASTM A351 CF8M	1
4	Stem	S.St ASTM A276 316	1
*5	Seat	PTFE, 15% Glass filled PTFE	2
*6	Body seal	PTFE, BUNA, VITON®	2
*7	Stem thrust seal	PTFE	1
*8	Stem o-ring	BUNA, VITON®	2
*9	Stem packing	PTFE	1
10	Gland nut	BRASS B16	1
11	Spacer washer	S.St 304	1
12	Handle With Lock	Steel zinc plated	1
13	Handle nut	Steel A307 zinc plated	1
14	Stop pin	BRASS B16	1
15	Stop pin nut	BRASS B16	1
16	Body bolt	Steel A307 zinc plated, S.St AISI 304	4
17	Body nut	Steel A307 zinc plated, S.St AISI 316	4

* Standard items for repair kits



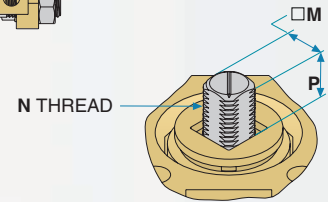
Dimensions 1/2"-2"



Valve Dimensions

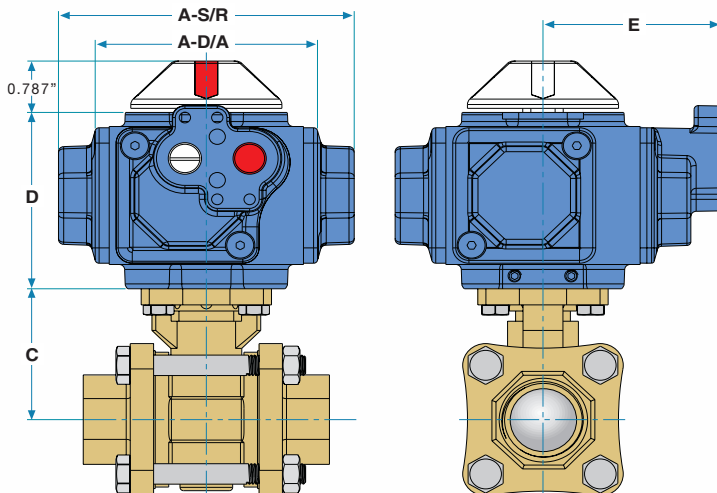
Size	PORT	A	AX	B	H	S	M	N	P	C	ISO	Cv	Wt. (lb)*
1/2"	0.591	2.677	7.732	1.020	2.402	4.331	0.354	7/16" UNF	0.354	1.587	F04/F05	38	1.32
3/4"	0.787	3.161	8.520	1.228	2.677	4.331	0.354	7/16" UNF	0.354	1.850	F04/F05	71	2.02
1"	0.984	3.465	9.098	1.488	3.110	4.961	0.354	7/16" UNF	0.472	2.096	F04/F05	110	2.75
1 1/4"	1.260	4.173	9.528	1.732	3.228	4.961	0.354	7/16" UNF	0.472	2.215	F04/F05	230	3.41
1 1/2"	1.496	4.724	10.150	1.976	4.213	5.906	0.433	9/16" UNF	0.512	2.884	F05/F07	350	5.50
2"	1.969	5.394	11.358	2.520	4.528	5.906	0.433	9/16" UNF	0.512	3.209	F05/F07	600	8.36

* Weight for B42P KLM/Screwed.



Valve with Actuator Dimensions

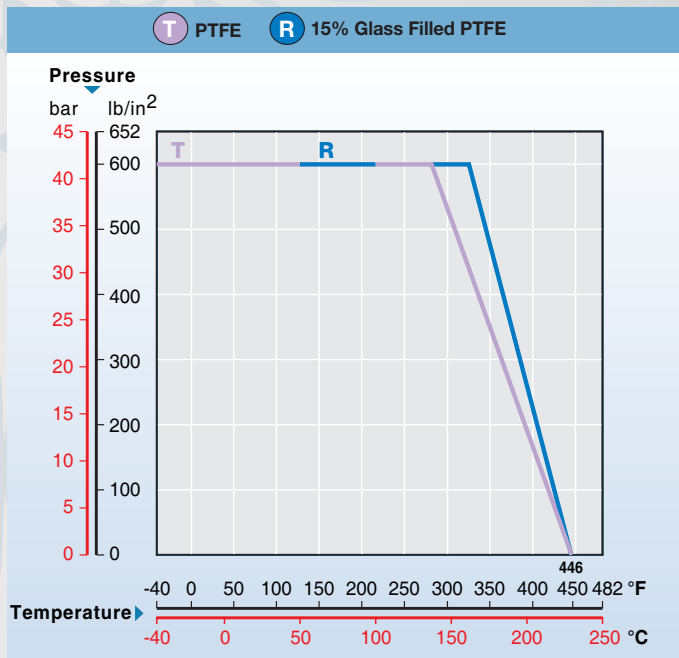
Size	Actuator	A-D/A	A-S/R	C	D	E
1/2"	C15	3.386	4.331	1.587	2.711	2.598
	C20	4.016	5.157			
1"	C15	3.386	4.331	2.096	2.711	2.598
	C20	4.016	5.157			
1 1/4"	C15	3.386	4.331	2.215	2.711	2.598
	C20	4.016	5.157			
1 1/2"	C25	5.236	6.339	2.884	3.819	3.543
	C20	4.016	5.157			
2"	C25	5.236	6.339	3.209	3.819	3.543
	C20	4.016	5.157			



BRONZE BALL VALVES

B42P SERIES

Pressure/Temperature Rating



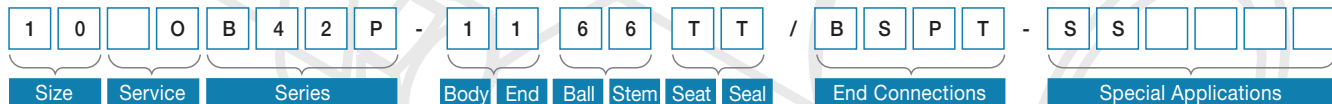
Standards of Compliance

Screwed End Connection:	NPT ANSI B1. 20.1 BSPT ISO R/7, BS 21 DIN 2999 (BSPP)
Soldering End Connections:	KLM ANSI B16.18 XYZ BS EN 1254
Cleaning for Oxygen Service:	CGA G-4.1
Certification:	ISO 9001-2000

Valve Actuator sizing

Size	Double Acting (DA)			Spring Return (SR)		
	60 psi 4 bar	80 psi 5.5 bar	100 psi 7 bars	60 psi 4 bar	80 psi 5.5 bar	100 psi 7 bar
1/2"	C15	C15	C15	C15-1B	C15-1B2	C15-2
3/4"	C15	C15	C15	C20-2A2B	C15-1B2	C15-2
1"	C15	C15	C15	C20-2A2B	C15-1B2	C15-2
1 1/4"	C15	C15	C15	C25-2A2B	C20-2C	C20-2C
1 1/2"	C20	C20	C20	C25-2A2B	C25-2C	C25-2C
2"	C20	C20	C20	C25-2A2B	C25-2C	C25-2C

How to order The HABONIM B42P Bronze Ball Valve Identification Code



Size	Service	Body	Ball	Seat	End Connections
Code inch mm	O Oxygen V Vacuum	1 Bronze	6 S. St. 316	R 15% Glass filled PTFE T PTFE	BSPT BS 21 DIN DIN 2999 (BSPP) NPT B1.20.1 KLM Copper tube soldering inch XKLM Extended KLM XYZ Copper tube soldering metric EXYZ Extended XYZ

Example:
10 OB42P - 1166TT/XKLM
Size 1" (10), Oxygen Service (O), Valve Type (B42P), Bronze Body & Ends (1), S.St. 316 TRIM (6), PTFE Seats & Seals (T), Extended Soldering Ends (XKLM).

Special Applications
SS Stainless Steel Bolts & Nuts

In accordance with our policy to strive for continuous improvement of the product, we reserve the right to alter the dimensions, technical data and information included in this catalogue when required.
Copyright © 2007 HABONIM Ltd. All rights reserved



Headquarters Habonim ISRAEL
Tel: +972-4-6914911, Fax: +972-4-6914902
sales_international@habonim.com

ISRAEL
Tel: +972-4-6914903
Fax: +972-4-6914935
sales_israel@habonim.com

www.habonim.com

North America
Toll Free Phone: 1-866-261-8400
Toll Free Fax: 1-866-243-9959
sales_usa@habonim.com

Europe
Habonim Europe
Tel: +972-4-6914733
Fax: +972-4-6914703
sales_europe@habonim.com

U.K.
Habonim UK
Tel: +44-1633-484554
Fax: +44-1633-482252
sales@habonimuk.com

China
Habonim China
Tel: +86-21-6473-8523
Fax: +86-21-6445-3191
sales_china@habonim.com

Asia Pacific
Habonim-Vaas
sales_asiapacific@vaasval.com

India
Habonim - VAAS
Tel: +91-44-5224-8500
Fax: +91-44-5215-2473
sales@vaasval.com