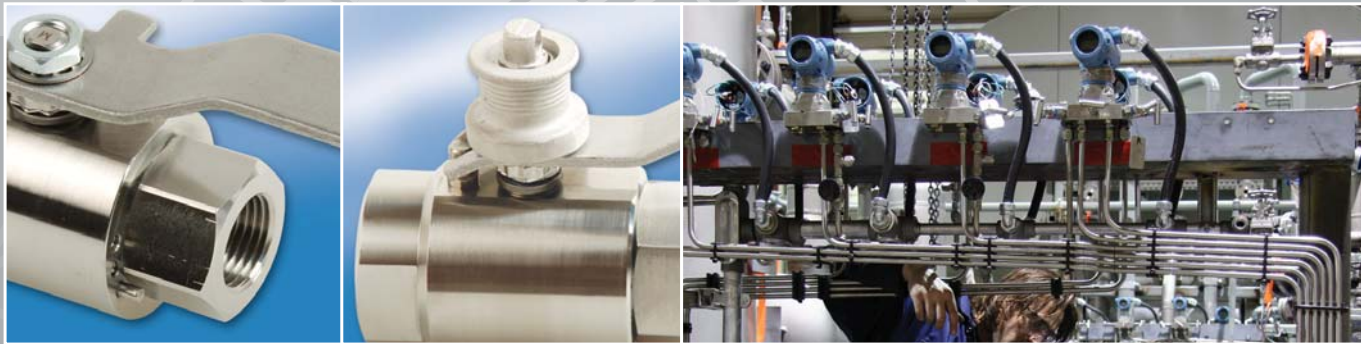


INCH



HIGH PRESSURE INSTRUMENTATION BALL VALVE

H24 SERIES



 **HABONIM**
Industrial Valves & Actuators

DEDICATED TO INNOVATION

HIGH PRESSURE INSTRUMENTATION BALL VALVE

H24

The H24 series of high-pressure valves is designed specifically for instrumentation applications in the Oil and Gas industries. H24 valves are safe to install and easy to operate and maintain. Manufactured from round bar, H24 valves are robust in design and rated to 6000 psi. H24 is another quality Habonim valve solution for the increasingly demanding needs of energy processing.

Technical Summary

Size Range:	1/2"-1 1/2"
Body Material*:	Stainless Steel 316/316L
End Connections:	Screwed BSPP to DIN3852 (Standard)
Pressure Rating:	6000 Psi (413 bar)
Temperature Range:	14°F ÷ +500°F (-10°C ÷ +260°C)
Application:	Oil & Gas, Petrochemical, Refinery
Service:	Air, Natural gas, Sour gas
Operation:	Manual (Standard), Actuated (optional)

*Other Materials available on request



Safety pin eliminates unintentional rotation of end connection

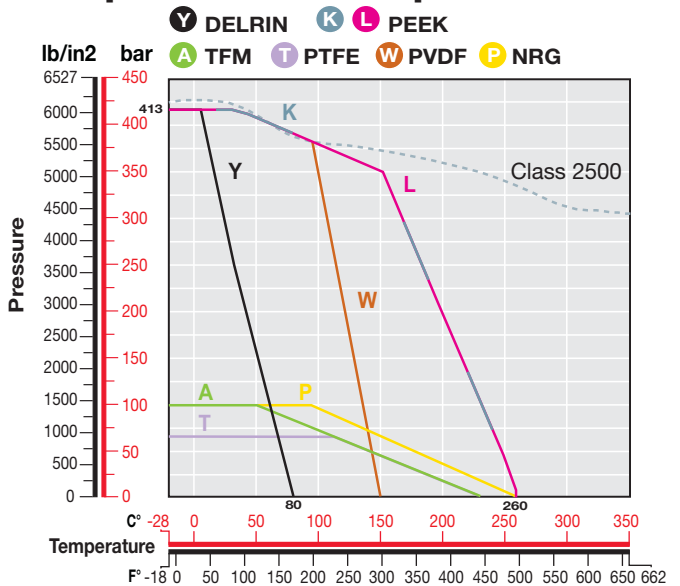


Spring loaded locking device available

Design features

- 2 piece design - minimum leak paths
- Robust high pressure design
- Blow-out proof stem
- Floating ball for positive shut-off
- Easy maintenance
- 17-4PH high tensile valve stem (standard)
- Spring loaded locking device (optional)
- NACE MR0175 compliant (optional)
- Panel mounting (optional)
- Actuation mounting (optional)

Temp / Pressure Graph

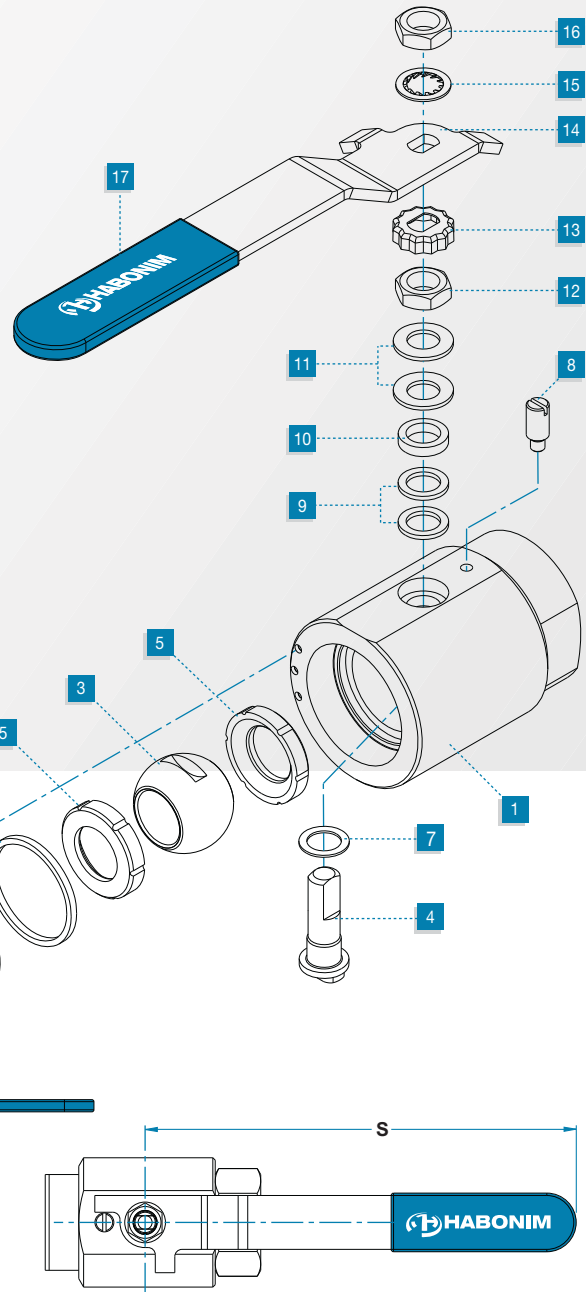
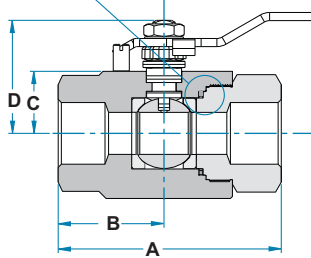
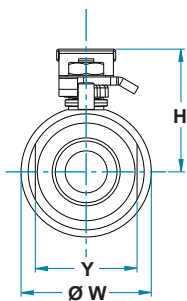
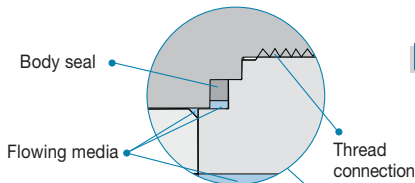


Standard Material of Construction

Item	Description	Material Specifications	Qty.
1*	Body	Stainless Steel ASTM A479 316/316L	1
2*	End Connector	Stainless Steel ASTM A479 316/316L	1
3*	Ball	Stainless steel ASTM A351 CF8M, 17-4PH	1
4*	Stem	17-4PH	1
5	Seat	DELRIN®, Carbon filled PEEK®, Virgin PEEK® PTFE, NRG, TFM™, PVDF	2
6	Body Seal	NBR, Viton®, EPDM, PTFE, Graphite	1
7	Stem thrust ring	DELRIN, Carbon filled PEEK®, Virgin PEEK®	1
8	Stop Pin	Stainless steel ASTM A582 303	1
9	Stem packing	NRG	2
10	Follower	Stainless steel ASTM B783 316L	1
11	Disc spring	Stainless steel ASTM A693 17-7PH	2
12	Stem nut	Stainless steel ASTM A194 316	1
13	Locking clip	Stainless steel ASTM A164 304	1
14	Handle	Stainless steel ASTM A240 430	1
15	Serrated washer	Stainless steel AISI 410	1
16	Handle nut	Stainless steel ASTM A194 316	1
17	Sleeve	Vinyl Plastizol	1
18	Tag (not shown)	Stainless steel ASTM A167 304	1
19	Safety pin	Stainless steel Dowel pin BN855	1

*Other Materials available on request

Inner body seal keeps the thread connection dry and insulated from the media. This advantage results in long-lasting service and easy maintenance.

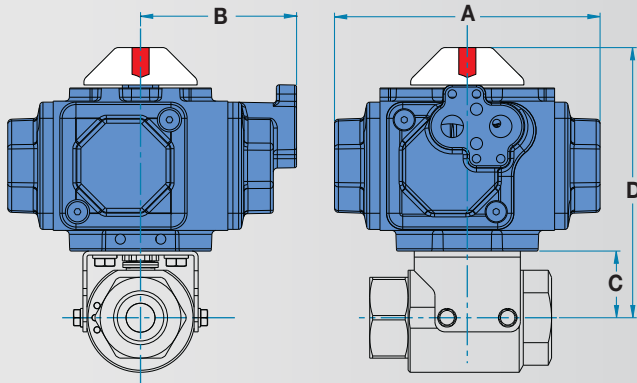


Size	Unit	Bore	A	B	C	D	H	Ø W	S	Y	Weight kg./lb	Kv / Cv
½"	mm	11.15	88.3	40	20.5	37.9	42.1	44	179	30	0.8	6.9
	inch	0.44	3.48	1.57	0.81	1.49	1.66	1.73	7.05	1.18	1.76	8
¾"	mm	14.3	90	42	23.5	40.3	45	54	179	40	1.27	10.4
	inch	0.56	3.54	1.65	0.93	1.59	1.77	2.13	7.05	1.57	2.8	12
1"	mm	20.6	109.6	52	30.5	55.6	60.3	64	193	50	2.1	28.1
	inch	0.81	4.31	2.05	1.2	2.19	2.37	2.52	7.6	1.97	4.63	32
1¼"	mm	25.4	117	55	35.5	60.2	68.7	74	193	60	2.9	49.3
	inch	1.00	4.65	2.17	1.39	2.37	2.70	2.91	7.60	2.36	6.39	57
1½"	mm	31.8	135	63	42.5	73.0	81.1	89	287	70	4.8	69.2
	inch	1.50	5.31	2.48	1.67	2.87	3.19	3.50	11.3	2.76	10.58	80

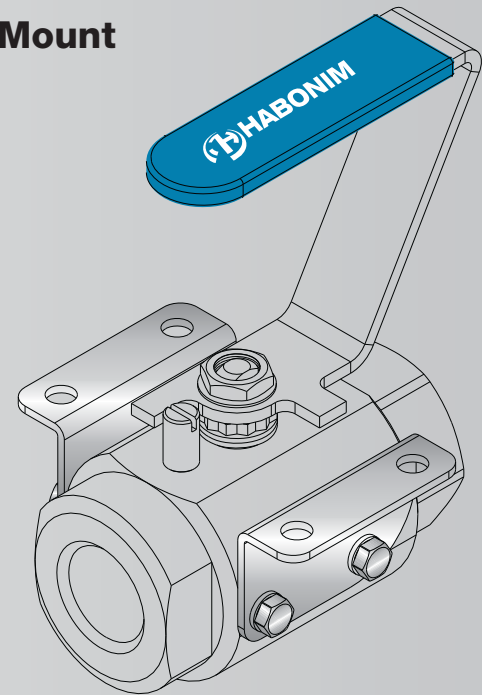
HIGH PRESSURE INSTRUMENTATION BALL VALVE

H24 Series

Actuation



Panel Mount



Valve Size	Actuator Size	Unit	A S/R	A D/A	B	C	D
1/2"	C20	mm	131	102	77	29	130
		inch	5.16	4.02	3.03	1.14	5.11
3/4"	C20	mm	131	102	77	33	134
		inch	5.16	4.02	3.03	1.29	5.27
1"	C25	mm	161	132	90	48	165
		inch	6.34	5.2	3.54	1.88	6.49
1 1/4"	C25	mm	161	132	90	55	172
		inch	6.34	5.2	3.54	2.17	6.77
1 1/2"	C30	mm	186	151	105	65	201
		inch	7.33	5.94	4.15	2.56	7.91

Actuation and Panel Mount valve configuration must be specified when ordering.

How to order The HABONIM H24 Valve Identification Code

1	2	3	4	5	6	7	8	9	10	11	12	13	14	15	16	17	18	19	20	21	22	23	24	...	30
0	5			H	2	4	-	6	6	M	M	W	B	/	D	I	N	3	8	5	2	-			
Size		Service		Series				Body/End		Ball/Stem		Seat/Seal			End Type						Special Application				

Size			Series	Body / End / Ball / Stem		Seat	Seal	End Connection	
Code	inch	mm	H24	6	S.S. 316	Y Acetal Resin Delrin®	V Viton®	DIN3852	DIN3852
05	1/2"	15	Service A Anti-static O Oxygen V Vacuum	M	17-4PH	K Carbon Filled PEEK®	B NBR (Sh90)	DIN	BSPP (DIN2999)
07	3/4"	20		L Virgin PEEK®	E EPDM	NPT	B1.20.1		
10	1"	25		T PTFE	T PTFE	Other special materials and type of ends are available on request.			
12	1 1/4"	32		P NRG	A TFM™				
15	1 1/2"	40		W PVDF	G Graphite				

Standards of Compliance

Design:	The pressure temperature rating is taken from ANSI B16.34 for standard class valve and is based on ANSI B16.34 class 2500. Body wall thickness is based on allowable stresses in ANSI B31 and appropriate formulas, not the values given in ANSI B16.34, Table 3
Threaded End connections:	BSPP DIN 3852, BSPP DIN2999, NPT ANSI B1.20.1
Pressure Testing:	API598, ISO 5208, BS EN 1226 Pt.1&2
NACE: (optional)	MR-0175
Quality Assurance:	ISO 9001-2008

DELTRIN® is a registered trademark of DuPont, PEEK® is a trademark of VICTREX, TFM™ is a trademark of Dyneon
In accordance with our policy to strive for continuous improvement of the product, we reserve the right to alter the dimensions, technical data and information included in this catalogue when required.

Copyright © 2009 HABONIM Ltd. All rights reserved

Special Application	
NACE	NACE MR0175 compliance
LD	Locking device
P250	Ball with pressure relief hole
ACT	Ready for Actuation
PM	Panel mounted



HABONIM USA
Toll Free Phone: 1-866-261-8400
Toll Free Fax: 1-866-243-9959
sales_usa@habonim.com

HEADQUARTERS HABONIM ISRAEL
Tel: +972-4-6914911
Fax: +972-4-6914902
sales_international@habonim.com

www.habonim.com

CATH24A-1061 03/09

